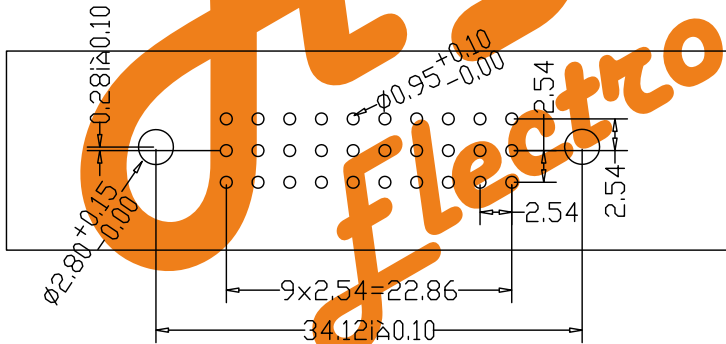
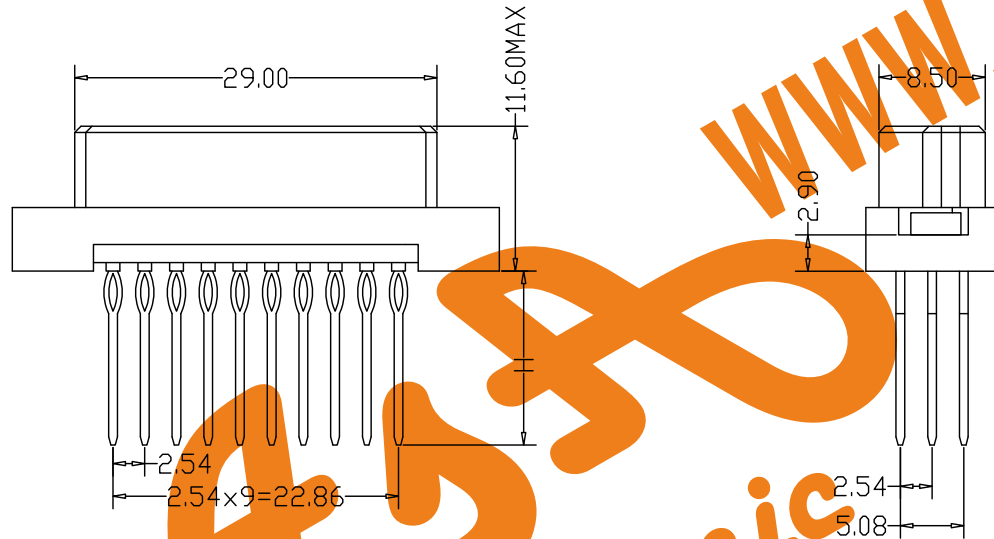
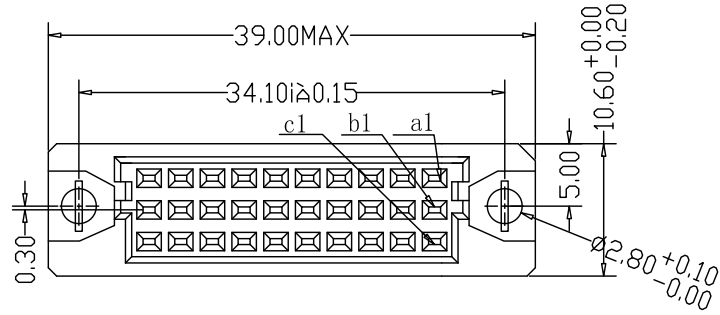


DIN 41612 Vertical Female Type 1/3C Compliant Press-Fit Connectors 30 Positions

ROHS COMPLIANT



Recommended P. C. B. Layout

SPECIFICATION

Current Rating:	2.0Amp
Insulation Resistance:	100000MΩ min.at DC 100V
Contact Resistance:	20MΩ max
Withstand Voltage:	AC 1000V For 1 Minute
Operating Temperature:	-55° C to +105° C
Contact Material:	Brass
Contact Plating:	Au or Sn Over Ni
Insulator Material:	PBT+30%GF UL 94V-0
Insertion Force:	30 pin max.28N
Withdrawal Force:	0.15N min.per individual contact

Ordering Code:

DFS - XX - X - X - X -319

- ① ② ③ ④ ⑤

- ① Series No:
- ② No. of Contacts
10P 20p 30p
- ③ Termination
I: Straight press-fit tail length H=5.0mm
M: Straight press-fit tail length H=13.0mm
N: Straight press-fit tail length H=17.0mm
- ④ Rows Loaded With Contacts
D: Row a+c
F: Row a+b+c
D1: Row a+c(2, 4, 6...)
- ⑤ Contact Plating
G0: Gold flash
S0: Gold flash/Ni
G1: 3u" Gold
S1: 3u" Gold/Ni
G2: 5u" Gold
S2: 5u" Gold/Ni
G3: 10u" Gold
S3: 10u" Gold/Ni
G4: 15u" Gold
S4: 15u" Gold/Ni
G5: 30u" Gold
S5: 30u" Gold/Ni
SN: Tin

Unless Otherwise specified tolerance

X±0.35
X.X±0.25
X.XX±0.20
X.XXX±0.15



AsA Electronic Co.

Tel : (+98) 21 66 73 56 82 Mob : (+98) 912 03 161 02

tail length	thickness * width
H=5.0mm	
H=13.0mm	0.6*0.6
H=17.0mm	0.6*0.6

SCALE: As Shown

UNIT: mm

DRAWN: jnufon

CHECKED: Yan

TITLE: Vertical Female Type 1/3C Compliant Press-Fit Connectors 30 Positions

REV	Add option of plating	10/8/1	APPROVED	DRAWING NO: DFS-XX-XXX-319
	DESCRIPTION	DATE		PRODUCT NO: DFS-XX-XXX-319