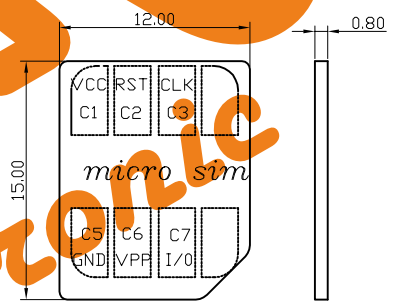
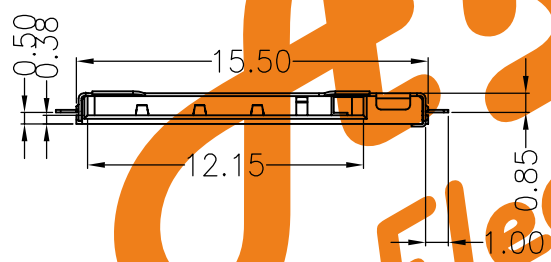
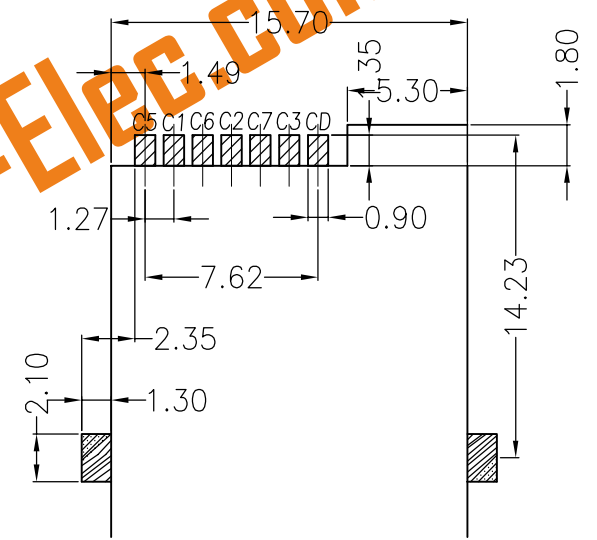
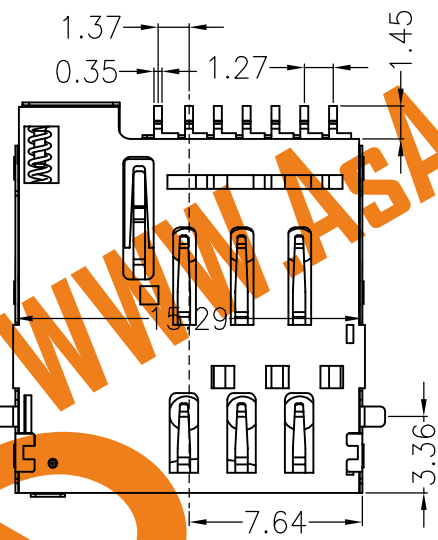
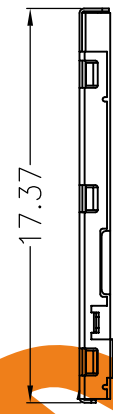
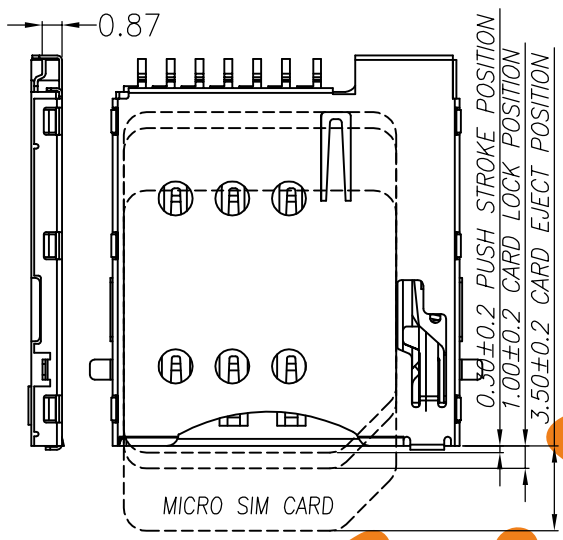
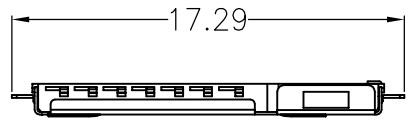


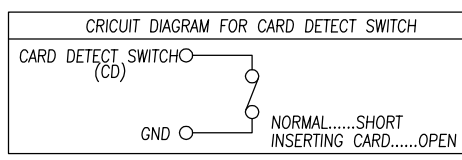
WWW.ASA-Elec.com

ASA Electronic

ASA WWW.ASA-Elec.com
Electronic
AsA Electronic Co.
 Tel : (+98) 21 66 73 56 82 Mob : (+98) 912 03 161 02



SIM pin assignment	
PIN#	Name
C1	VCC
C2	RST
C3	CLK
C5	GND
C6	VPP
C7	I/O



Telegram:09396994470

REVISION NO.	ECR NO.	DESCRIPTION	MARK	DATE
1				
2				

DIMENSIONS UNIT: mm UNLESS OTHERWISE SPECIFIABLE DIMENSION TOLERANCE X.X: ± 0.15 X.XX: ± 0.10 X.XXX: ± 0.05 ANGULAR: ± 1°	PRODUCT NAME : MICRO-SIM 卡座 1.35H 带CD PIN 减0.50 Edition	DRAWING:	DATE: 2014/03/10
	PRODUCT NO. :	CHECK: H.Z	DATE: 2014/03/11
	DRAWING NO. :	APPROVED: (Signature)	DATE: 2014/03/11
(Symbol) (Symbol)	SCALE: 1:1	DWG ID: C.D	REV.: A PAGE: 1 of 1